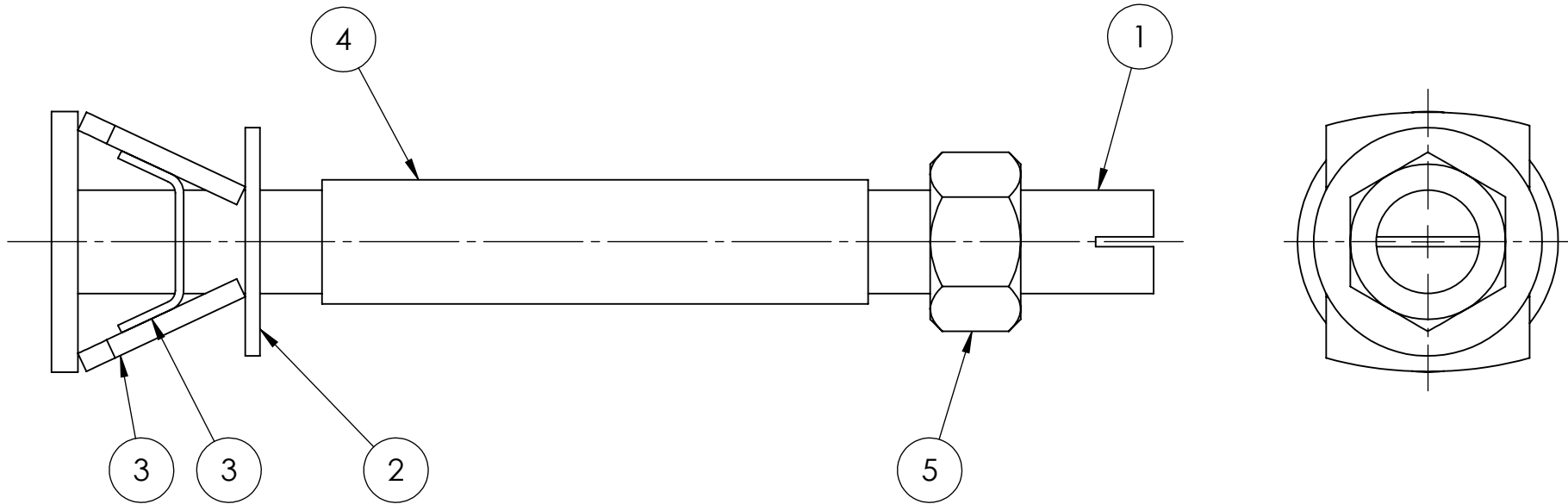
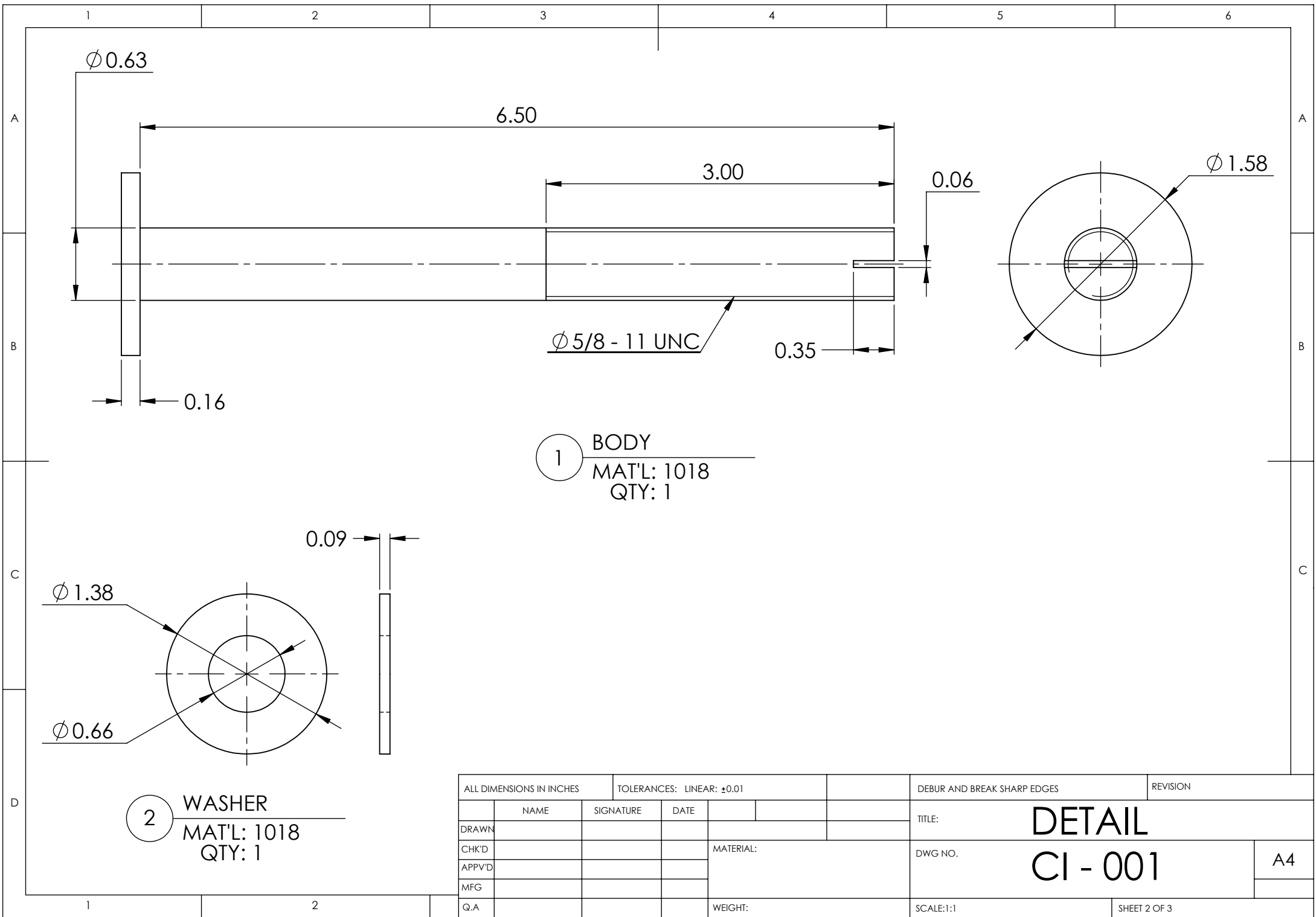


ITEM NO.	DESCRTIPTION	MATERIAL	QTY.	SHEET
1	BODY	1018	1	2
2	WASHER	1018	1	2
3	SPREADING WASHER	1018	2	3
4	SLEEVE	1018	1	3
5	5/8 - 11 NUT	PUR	1	1
6	ADHESIVE STRIP	PUR	1	1



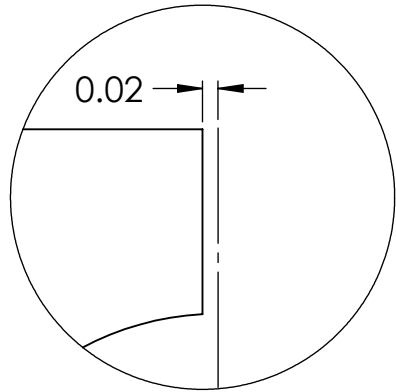
ALL DIMENSIONS IN INCHES		TOLERANCES: LINEAR: ± 0.01		DEBUR AND BREAK SHARP EDGES		REVISION	
	NAME	SIGNATURE	DATE	TITLE: ASSEMBLY			
DRAWN				DWG NO. CI - 001		A4	
CHK'D				MATERIAL:			
APPV'D				WEIGHT:		SCALE: 1:1	
MFG				SHEET 1 OF 3			
Q.A							



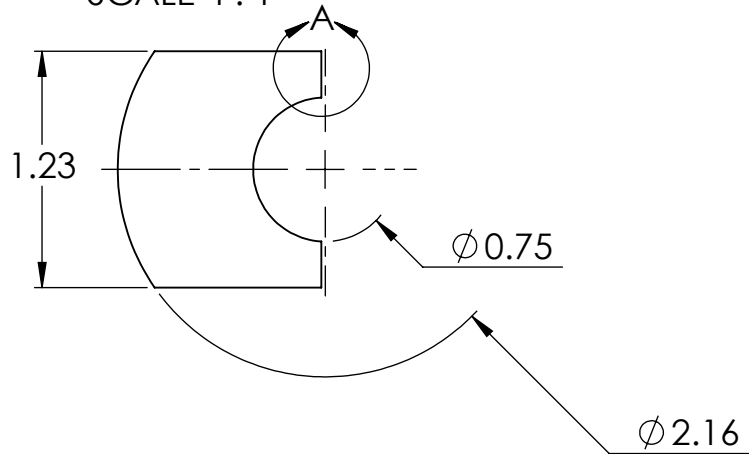
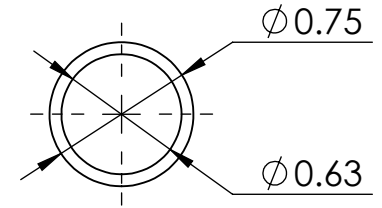
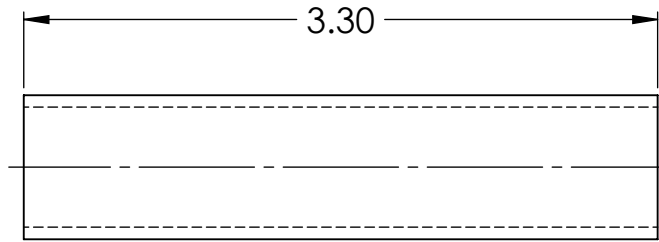
1 BODY
 MAT'L: 1018
 QTY: 1

2 WASHER
 MAT'L: 1018
 QTY: 1

ALL DIMENSIONS IN INCHES			TOLERANCES: LINEAR: ±0.01			DEBUR AND BREAK SHARP EDGES		REVISION	
	NAME	SIGNATURE	DATE			TITLE: DETAIL			
DRAWN				MATERIAL:		DWG NO. CI - 001		A4	
CHK'D									
APPV'D									
MFG									
Q.A				WEIGHT:		SCALE:1:1		SHEET 2 OF 3	



DETAIL A
SCALE 4 : 1



3 SPREADING WASHER
MAT'L: 1018
QTY: 2

4 SLEEVE
MAT'L: 1018
QTY: 1

ALL DIMENSIONS IN INCHES			TOLERANCES: LINEAR: ± 0.01			DEBUR AND BREAK SHARP EDGES		REVISION	
	NAME	SIGNATURE	DATE			TITLE: DETAIL			
DRAWN				MATERIAL:		DWG NO. CI - 001			A4
CHK'D									
APPV'D									
MFG									
Q.A				WEIGHT:		SCALE: 1:1		SHEET 3 OF 3	